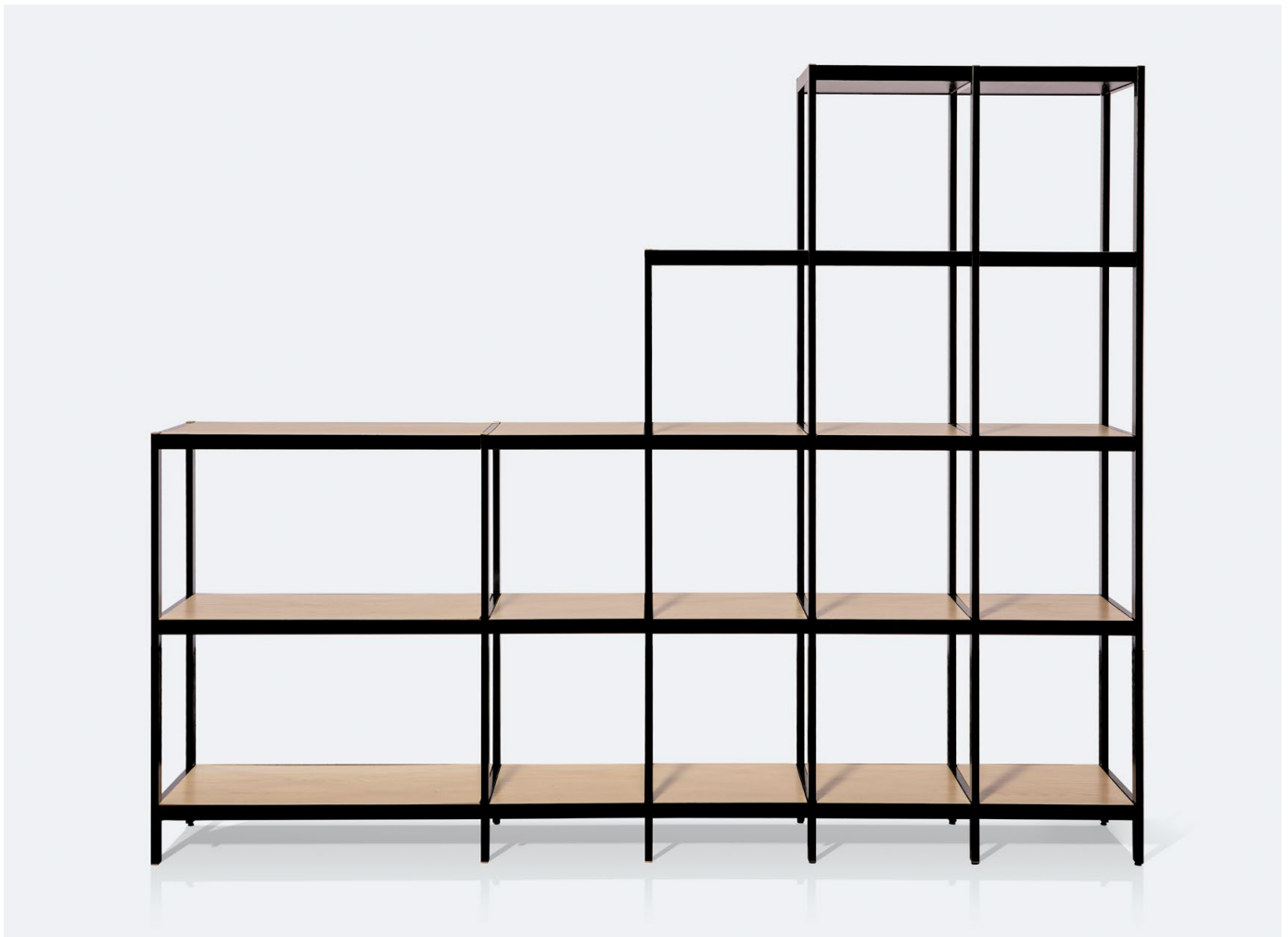


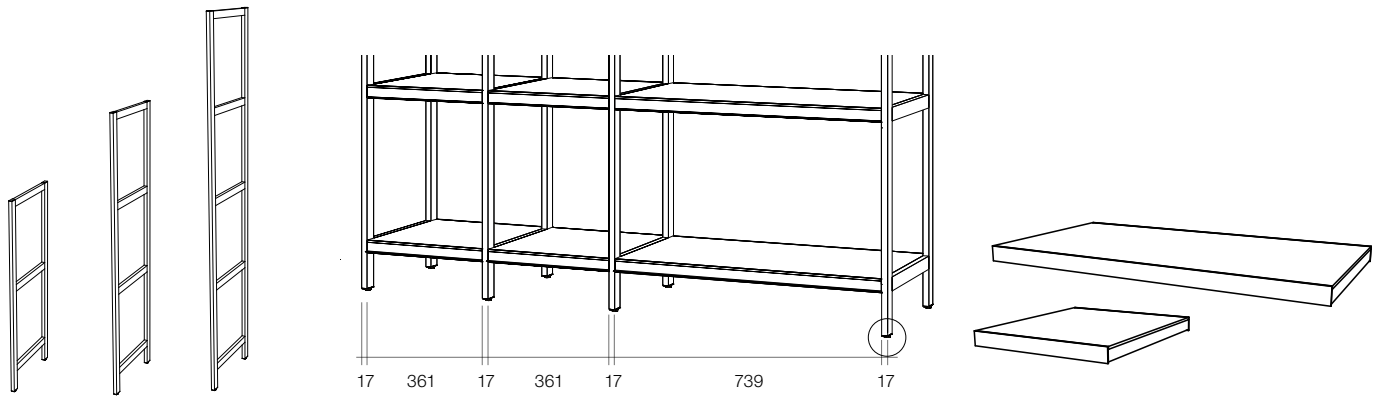
Place

Design | Studio Doms



Open shelves for room division and storage. Made of dark gray powder-coated aluminum with decor shelf in light ash and brass details. Place is a shelf system with great combination possibilities that can easily be tailored to your specific needs. Place is available in two widths (361 and 739 mm, excl. end gables) and three different heights (1003, 1433 and 1863 mm) that can be easily assembled and adapted as needed.

As a step in TreCe's sustainability work, Place is delivered in flat packages to then easily be mounted on site. Place is, thanks to its design, very easy to assemble. The gables are pre-assembled and the shelves mounted with cam lock screws from above. The decor shelf, which is put in place after the supporting shelf is mounted, conceals the fittings and gives a neat finish.



Outer gables, thickness 17 mm

Name	Size (WxH)	Color	Art nr
Place Outer gable 1003	395x1003	RAL 7016	401111
Place Outer gable 1433	395x1433	RAL 7016	401112
Place Outer gable 1863	395x1863	RAL 7016	401113

Supporting shelf, thickness 35 mm

Name	Size	Color	Art nr
Place Supporting shelf 361	361x35x395	Ash	402111
Place Supporting shelf 739	739x35x395	Ash	402121

Supporting shelves in anthracite laminate, 35 mm, inclusive decor shelf light ash.

Middle gables, thickness 17 mm

Name	Size (WxH)	Color	Art nr
Place Middle gable 1003	395x1003	RAL 7016	401121
Place Middle gable 1433	395x1433	RAL 7016	401122
Place Middle gable 1863	395x1863	RAL 7016	401123

Converter gables, thickness 17 mm

Name	Size (WxH)	Color	Art nr
Place Converter 1433-1003	395x1433	RAL 7016	401131
Place Converter 1863-1003	395x1863	RAL 7016	401132
Place Converter 1863-1433	395x1863	RAL 7016	401133