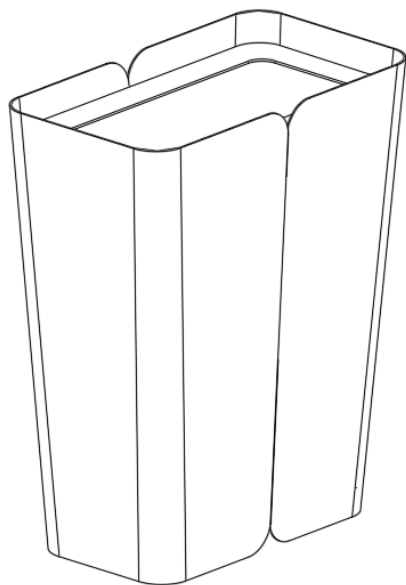


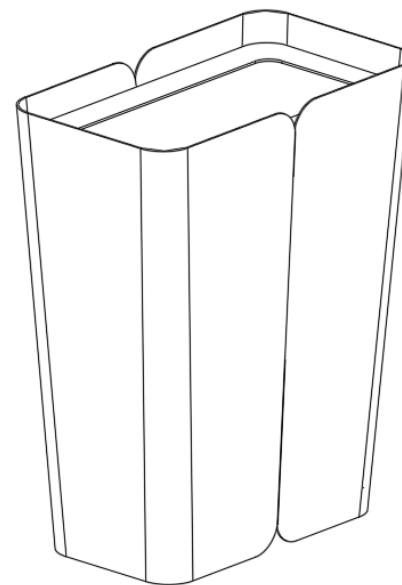
Mounting instructions

HOLD MINI

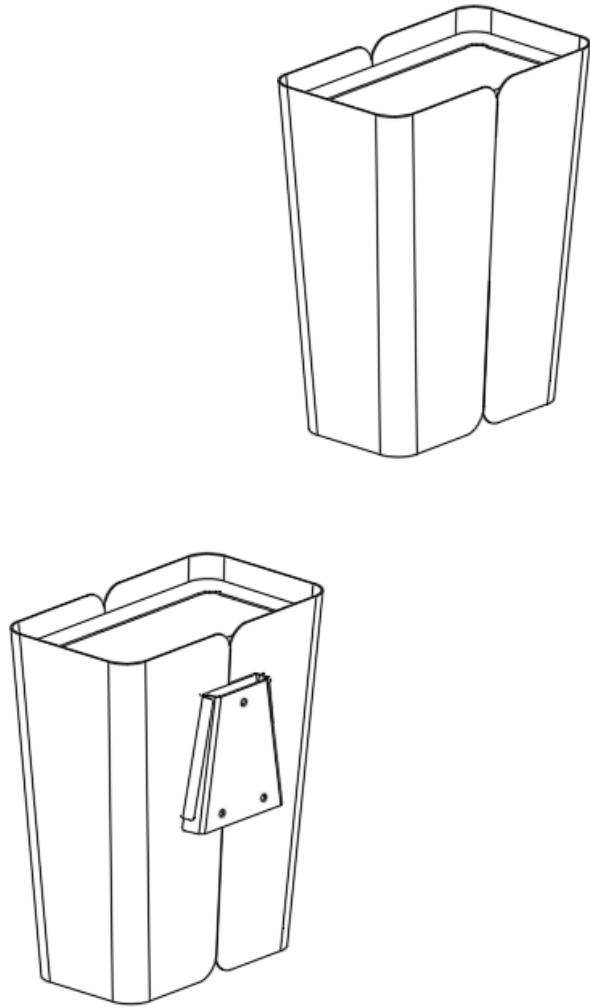


Mounting instructions

HOLD MINI

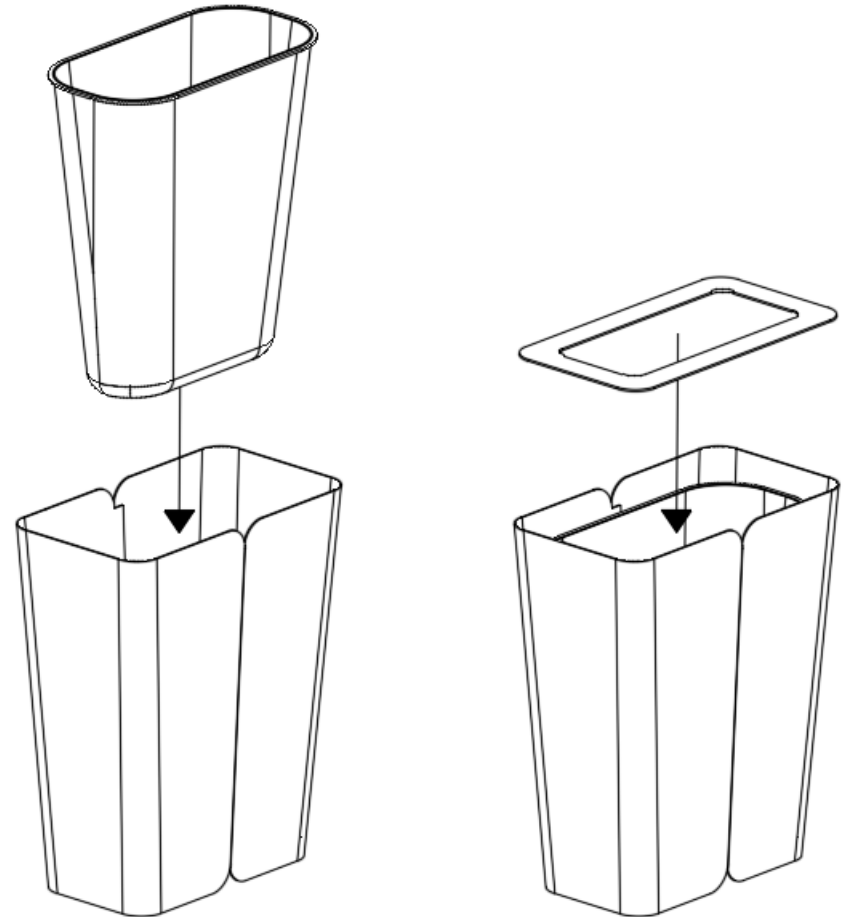


HOLD FLOOR/WALL



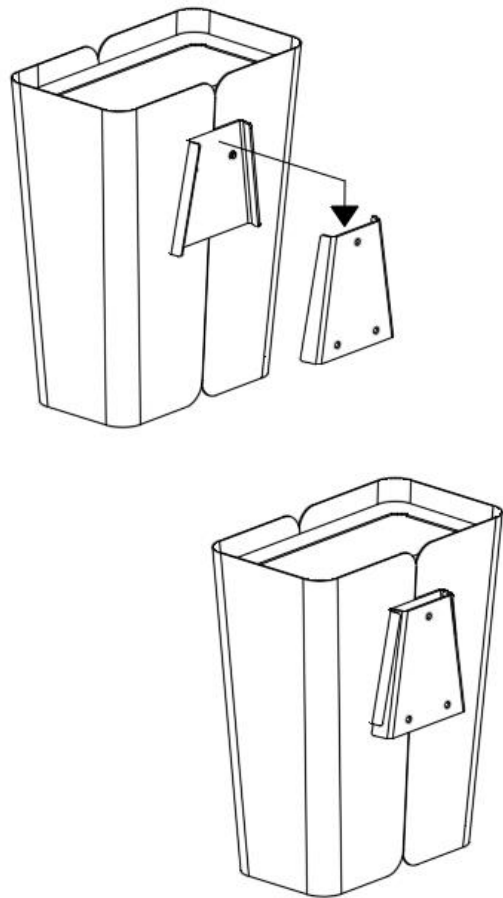
Select Hold, Floor or Wall version.

PLACE CONTAINER AND LID



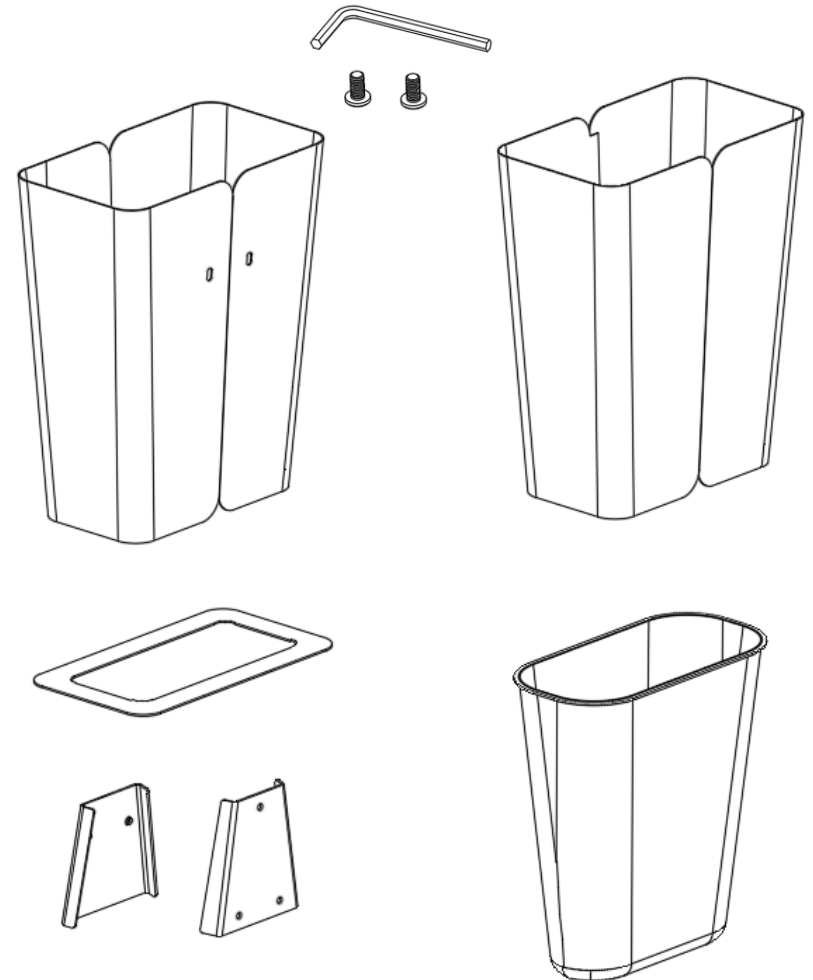
Place the inner container in the bin. Finally, place the lid on top of the container.

FOR WALL MOUNT: INSTALL AS SHOW 3

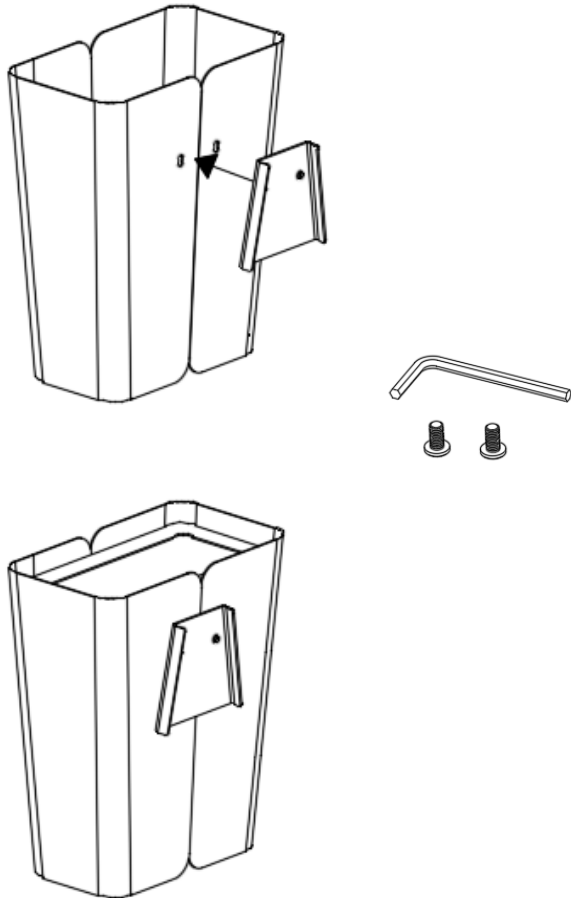


3. Hook Hold to the wall bracket.

COMPONENTS

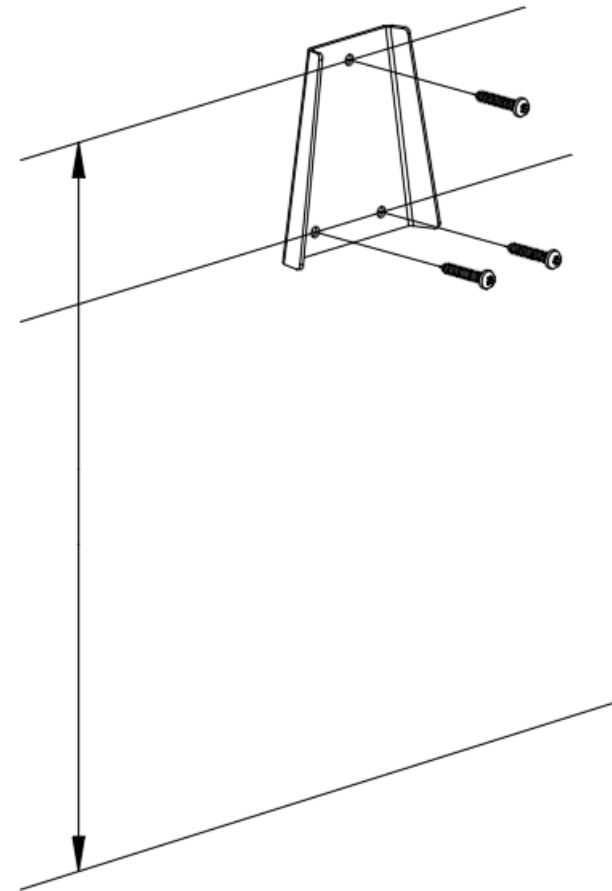


FOR WALL MOUNT: INSTALL AS SHOW 1



1. For Hold Wall, skrew and fix the wall bracket to the back of the bin.

FOR WALL MOUNT: INSTALL AS SHOW 2



2. Measure on the wall where the wall bracket should sit, fix the bracket to the wall.