



Tested according to SS-EN 16121:2013 + A1:2018
Requirements for strength, durability and safety
Storage furniture for public environments

Ridge

Design | **Studio Doms**



Anthracite NCS/RAL 7016 | Saffron NCS/RAL 1017 | Pearl white RAL 1013 | Warm grey NCS/RAL 7032

Ridge, with its special expression, becomes a different and expressive feature in the modern office. It gives the impression of an interior detail, not just a recycling station. Standing together Ridge creates a feeling of a city skyline. Details such as bevelled outer edges and a slight distance between the frame and top shows a feel of quality and detail.

A very stable construction that is built of 22 mm MDF and lacquered in 11 standard colours. The stainless steel ramp for easy access of a 140 L waste bin is not only a practical detail, but also a part of the design that stands out. Ridge is also available in two heights, low and high.

What distinguishes low and high is the slope of the upper frame. Both versions are easily emptied with the door's aximate hinges, 135° opening. Ridge can be ordered with different recycling symbols depending on the purpose and waste.

- Integrated bag holder in stainless steel for sack is included in Ridge low/high Bag
- Door protection and loading ramp all in stainless steel
- Door and rubber mat included
- Adjustable feet
- Doors with aximate hinges, 135°

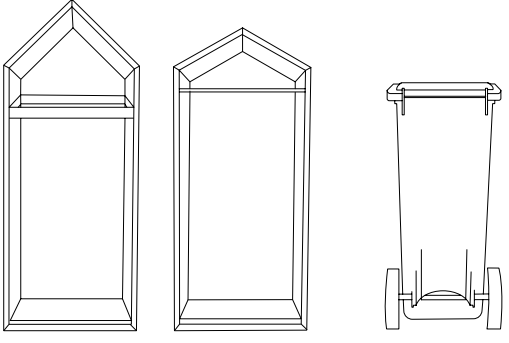
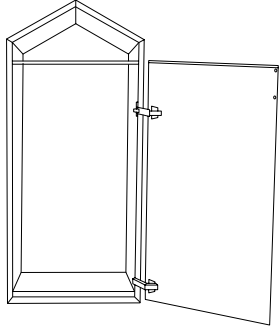

Ridge Images



Dimensions: Width x Height x Depth.

Bottom/Gable/Top: 22 mm lacquered MDF. Door/Back: 16 mm lacquered MDF.

How to order Ridge:

<p>1.</p>  <p>Ridge High Ridge Low Containers 140L</p>	<p>2.</p> 	<p>3.</p> 
<p>Choose frame (High or Low) and colour (choose with bag holder or container.)</p>	<p>Choose door and colour</p>	<p>Choose symbol</p>

Ridge Frame Low (frame only, add door and symbol), NSC colours

Width 600 mm, Height 1379 mm, Depth 650 mm

Name	NCS S0502-Y White	RAL 7032 Warm grey	RAL 7016 Anthracite	RAL 5023 Brilliant blue	RAL 1013 Pearl white	RAL 6013 Olive	RAL 6020 Forest green	RAL 8014 Chocolate	RAL 1017 Saffron	RAL 3014 Old pink	RAL 3005 Wine red
Ridge Low bag	490103	490114	490104	490119	490113	490115	490106	490116	490118	490117	490110
Ridge Low container	490123	490134	490124	490139	490133	490135	490126	490136	490138	490137	490130

Ridge Frame High (frame only, add door and symbol), NSC colours

Width 600 mm, Height 1521 mm, Depth 650 mm

Name	NCS S0502-Y White	RAL 7032 Warm grey	RAL 7016 Anthracite	RAL 5023 Brilliant blue	RAL 1013 Pearl white	RAL 6013 Olive	RAL 6020 Forest green	RAL 8014 Chocolate	RAL 1017 Saffron	RAL 3014 Old pink	RAL 3005 Wine red
Ridge High bag	490203	490214	490204	490219	490213	490215	490206	490216	490218	490217	490210
Ridge High container	490223	490234	490224	490239	490233	490235	490226	490236	490238	490237	490230

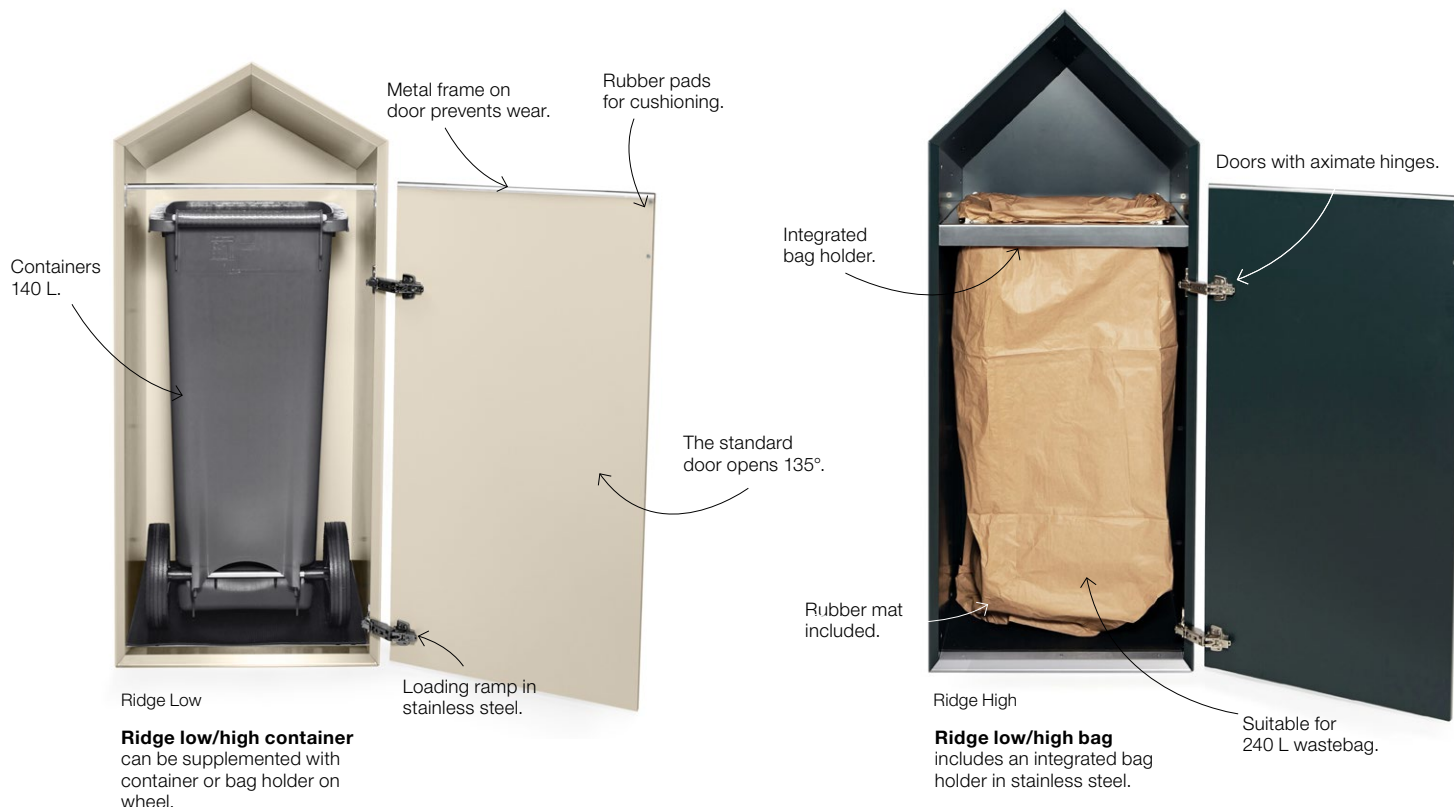
Ridge Colours

Ramp in stainless steel.



Dimensions: Width x Height x Depth.

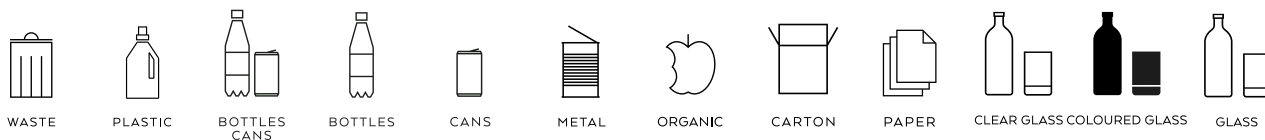
Bottom/Gable/Top: 22 mm lacquered MDF. **Door/Back:** 16 mm lacquered MDF.



Ridge Door – fits both Ridge Low and High

Name	NCS S0502-Y White	NCS S1502-G Warm Grey	NCS RAL 7016 Anthracite	NCS RAL 5023 Brilliant blue	NCS RAL 1013 Pearl white	NCS RAL 6013 Olive	NCS RAL 6020 Forest green	NCS RAL 8014 Chocolate	NCS RAL 1017 Saffron	NCS RAL 3014 Old pink	NCS RAL 3005 Wine red
Ridge door	490403	490414	490404	490419	490413	490415	490406	490416	490418	490417	490410

Ridge Symbol, foiled



Colour	Art.no	WASTE	PLASTIC	BOTTLES CANS	BOTTLES	CANS	METAL	ORGANIC	CARTON	PAPER	CLEAR GLASS	COLOURED GLASS	GLASS
White	490501	490502	490503	42900401	42900601	490506	490509	490505	490508	490523	490524	490535	
Anthracite	490511	490512	490513	42900404	42900604	490516	490519	490515	490518	490533	490534	490536	

Contact TreCe if you want other symbols or text in other languages.

Container/Bag holder

Fits Ridge low/high container

Ridge low/high bag includes an Integrated bag holder in stainless steel for sack. Ridge low/high container can be supplemented with container or bag holder on wheel.

Name	Art no.
Container 140 L	820941
Bag holder 125-160 L	820914

General care instructions

Metal

Wipe with a slightly damp, soft lint-free cloth and mild detergent. Always wipe dry with a dry cloth. Never use solvents on painted metal or abrasive materials.