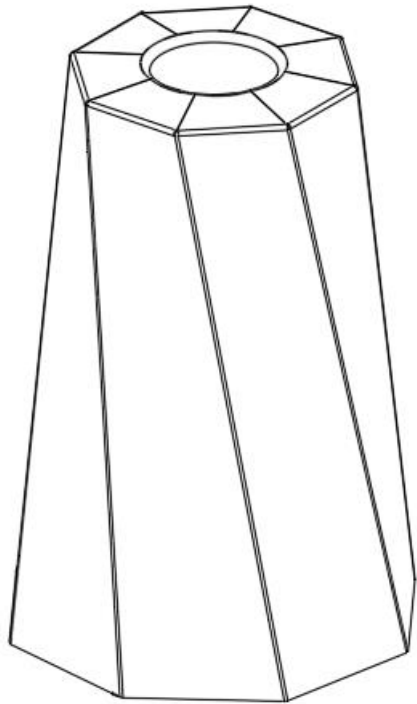


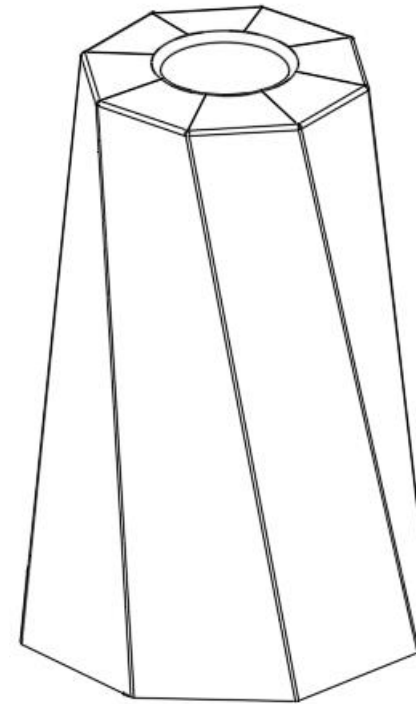
Assembly instruction

BUTLER



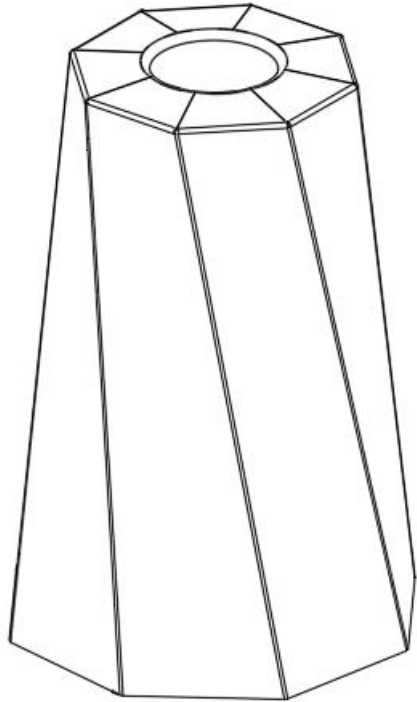
Assembly instruction

BUTLER

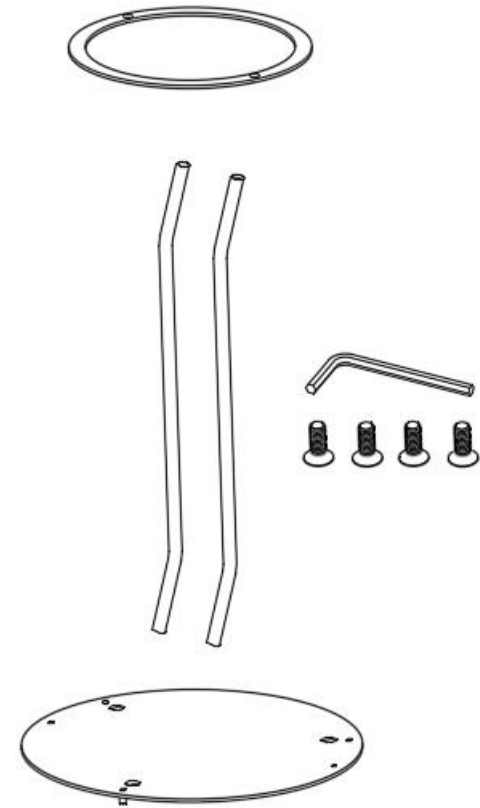


Assembly instruction– Butler

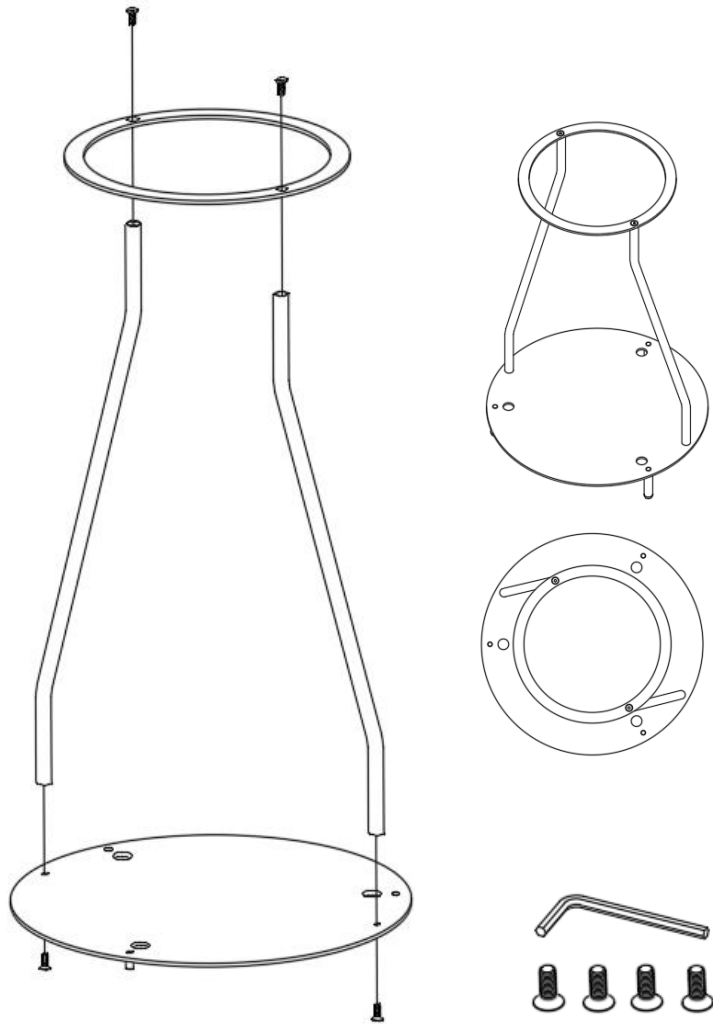
COMPONENTS: COVER



COMPONENTS: STAND

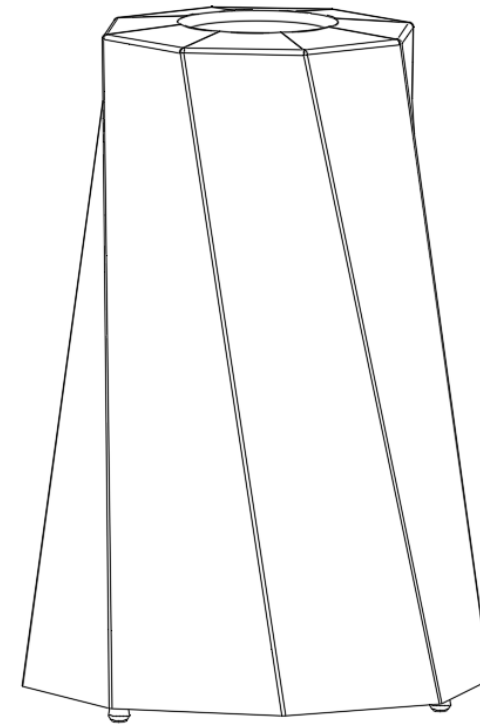


ASSEMBLE THE STAND:

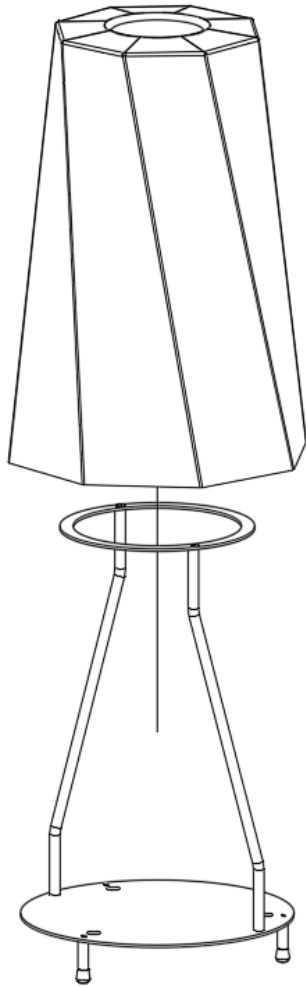


Mount the arms with 2 screws first in the base, do not tighten completely. Align the arms as shown and mount the upper ring with the other 2 screws, do not tighten completely. Center the upper ring from above and when the placement is correct, you can tighten the screws completely, both at the top and bottom.

FULLY ASSEMBLED

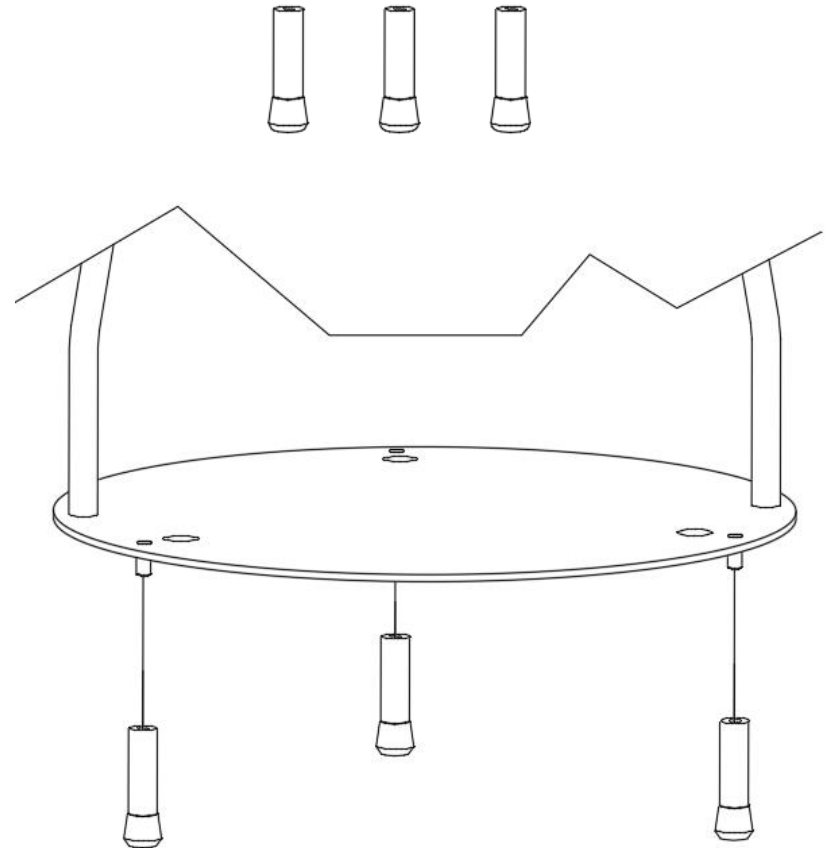


ASSEMBLE LIKE THIS:



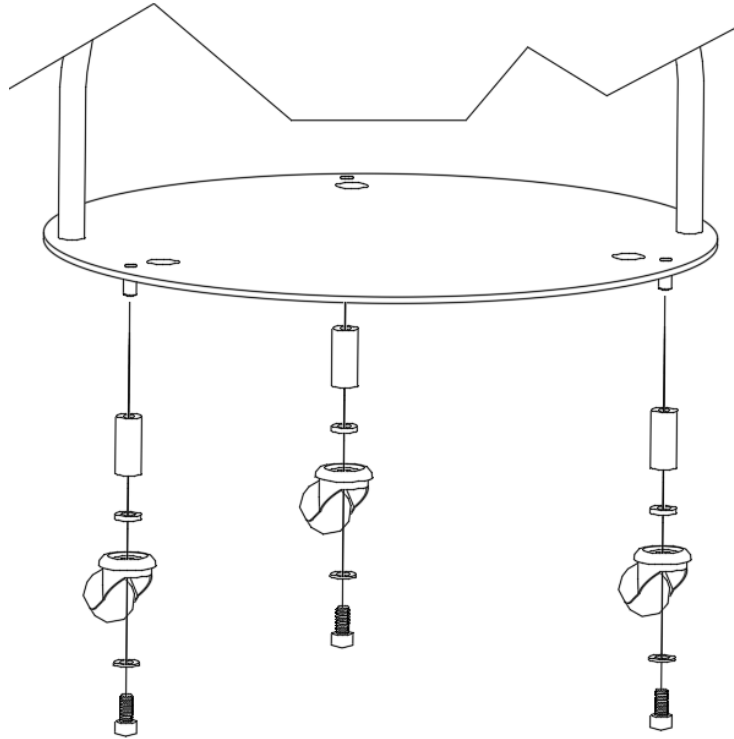
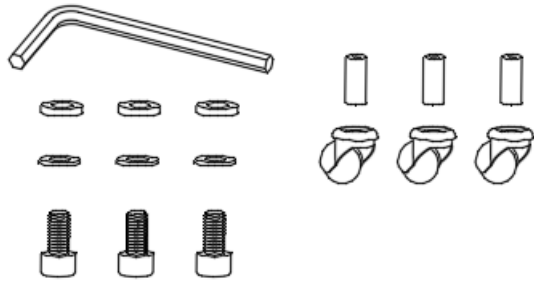
Put on the cover.

ASSEMBLE THE LEGS:



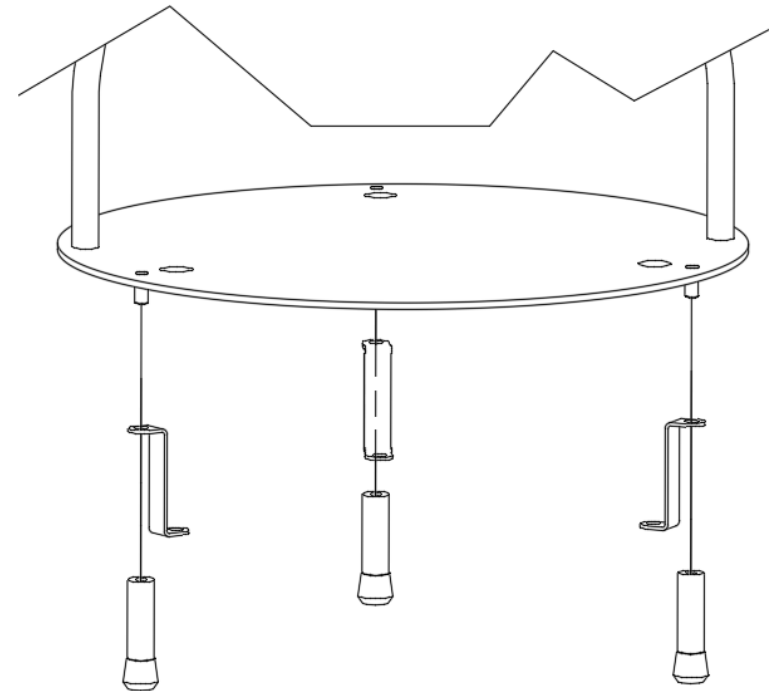
Screw on the legs under the plate. No tools needed

ASSEMBLE THE WHEELS:



Put on the thin washer, wheel and thick washer on the screw and screw everything onto the short leg. Then screw on the entire wheel set on the underside.

ASSEMBLE THE FLOOR ATTACHMENT



Attach the floor attachment between the leg and the base plate by screwing on the leg. The floor attachment must be directed towards the center. Then fasten the leg frame to the floor with a screw that is suitable for the surface. (Not included)