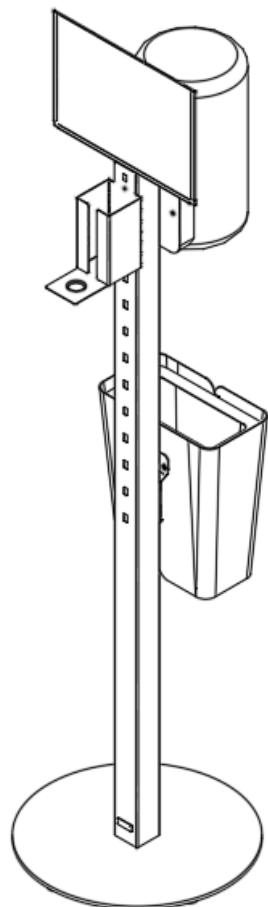


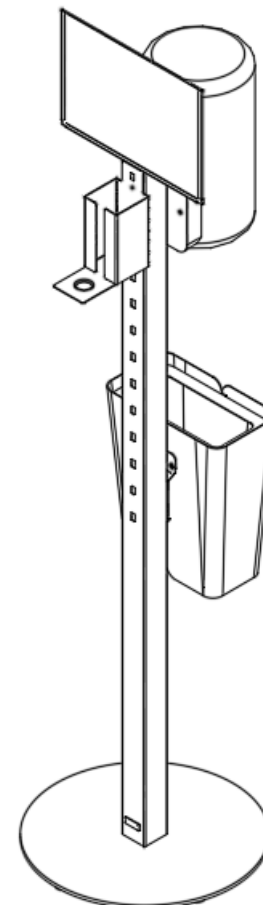
Assemble instruction

CLEAN

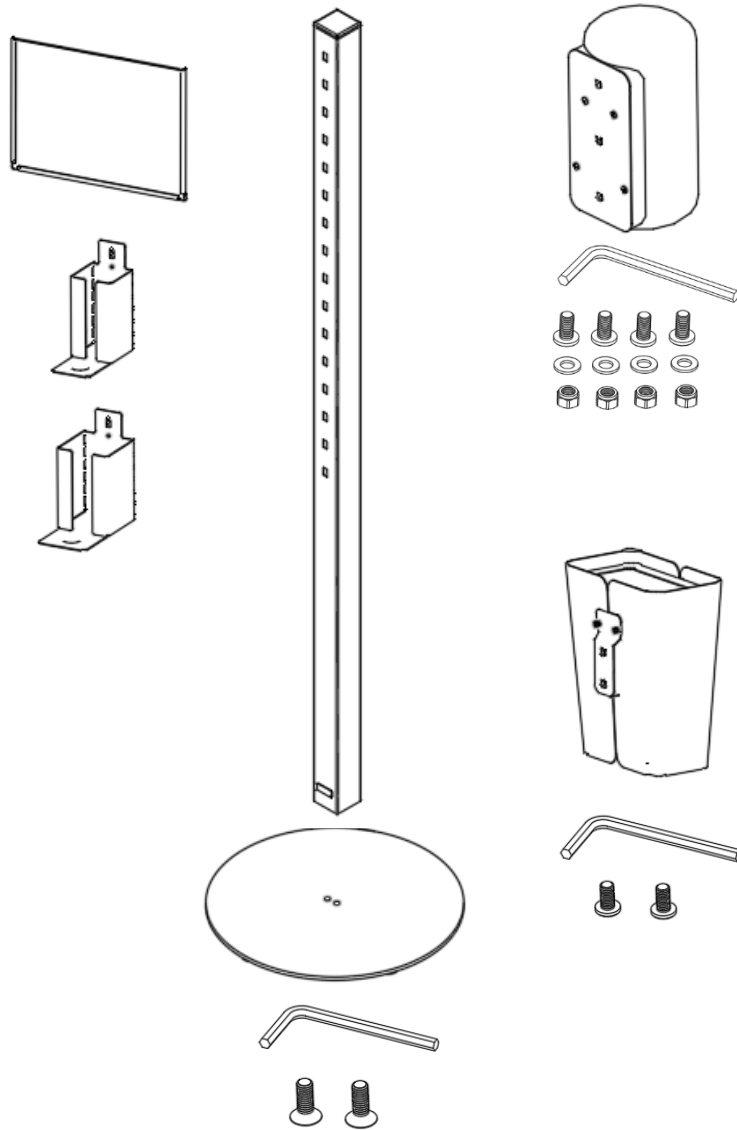


Assemble instruction

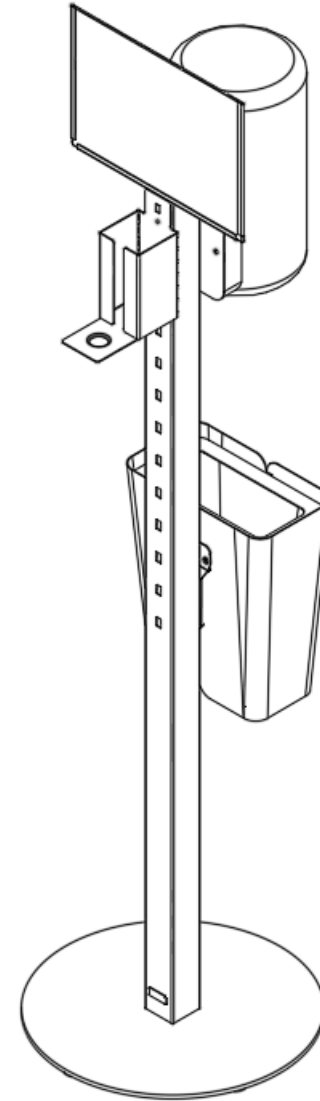
CLEAN



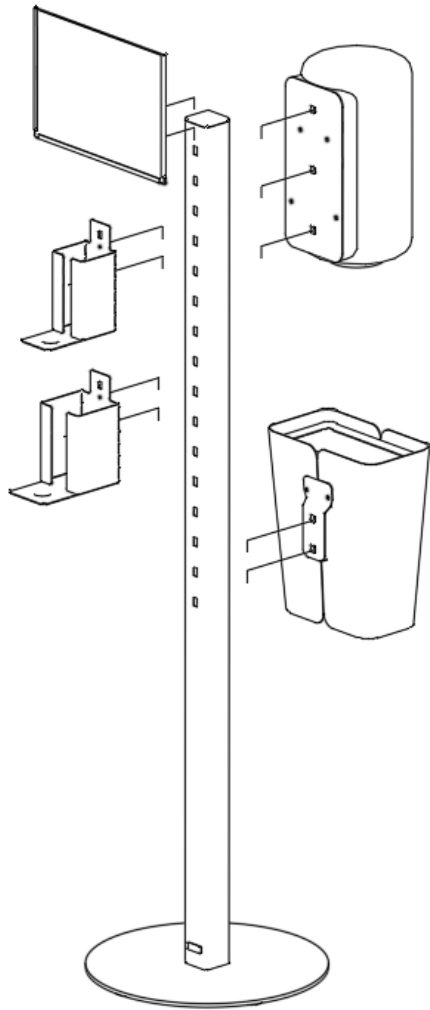
Assemble instruction – Clean
COMPONENTS



Assemble instruction - Clean
EXAMPLE OF A STAND

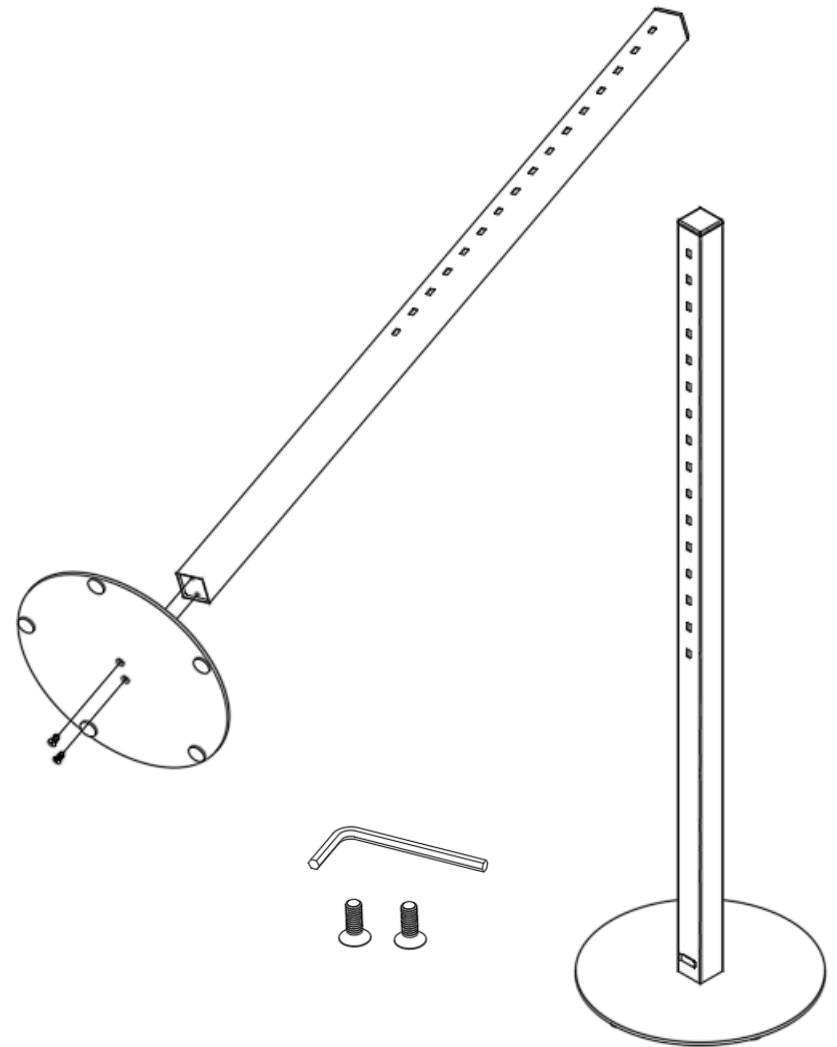


EXAMPLE OF PLACEMENT



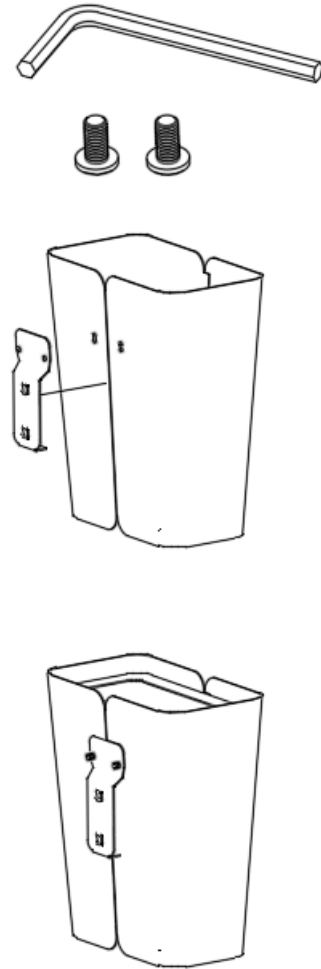
Hook on the products at any height.

ASSEMBLE LIKE THIS:



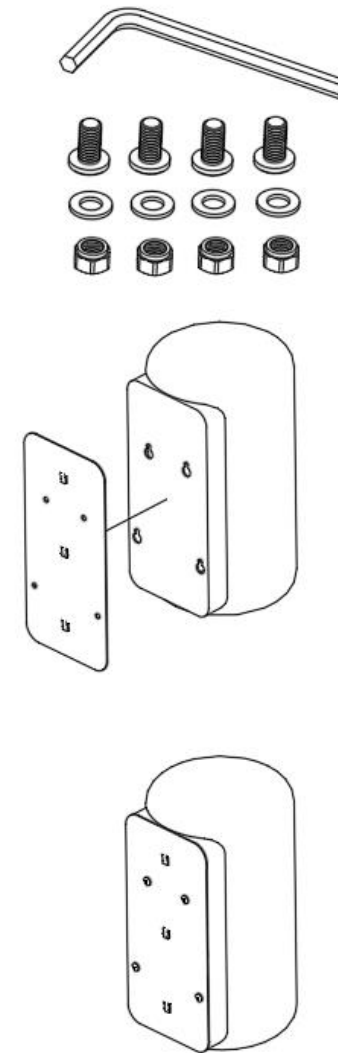
Mount the stand on the foot with 2 screws, tighten.

ASSEMBLE LIKE THIS:



Mount the wall bracket with 2 screws from inside the bin.

ASSEMBLE LIKE THIS:



Mount the wall bracket with 4 screws from the outside, washers and nuts from the inside Tork M1 dispenser (not included)