

Place

Design | Studio Doms

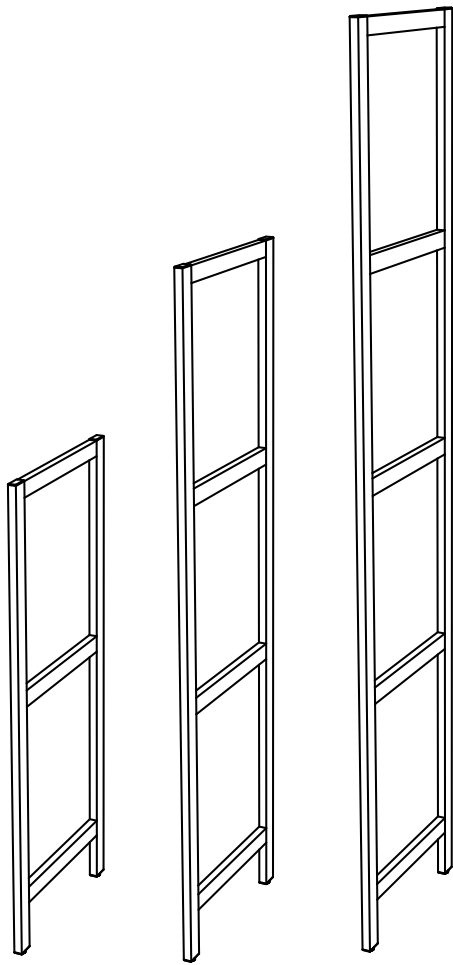


Open shelves for room division and storage. Made of dark grey powder-coated Aluminium with decor shelf in light ash and brass details. Place is a shelf system with great combination possibilities that can easily be tailored to your specific needs. Place is available in two widths (361 and 739 mm, excl. end gables) and three different heights (1003, 1433 and 1863 mm) that can be easily assembled and adapted as needed.

As a step in TreCe's continuous environmental work, Place is delivered in flat packages and can be mounted easily on site.

The gables are pre-assembled and the shelves mounted with cam lock screws from above. The decor shelf, which is put in place after the supporting shelf is mounted, conceals the fittings and gives a neat finish.

Dimensions: Width x Height x Depth.



Place Outer gables, thickness 17 mm

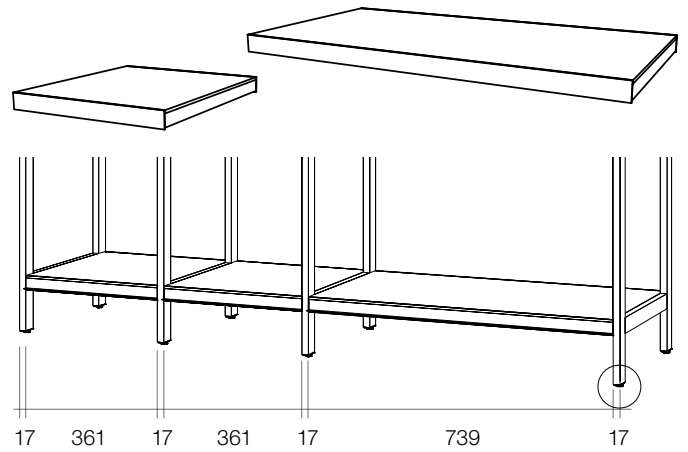
Name	Size	Colour	Art no.
Place Outer gable 1003	395x1003	RAL 7016	401111
Place Outer gable 1433	395x1433	RAL 7016	401112
Place Outer gable 1863	395x1863	RAL 7016	401113

Place Middle gables, thickness 17 mm

Name	Size	Colour	Art no.
Place Middle gables 1003	395x1003	RAL 7016	401121
Place Middle gables 1433	395x1433	RAL 7016	401122
Place Middle gables 1863	395x1863	RAL 7016	401123

Place Converter gables, thickness 17 mm

Name	Size	Colour	Art no.
Place Converter 1433-1003	395x1433	RAL 7016	401131
Place Converter 1863-1003	395x1863	RAL 7016	401132
Place Converter 1863-1433	395x1863	RAL 7016	401133



Place Supporting shelf, thickness 35 mm

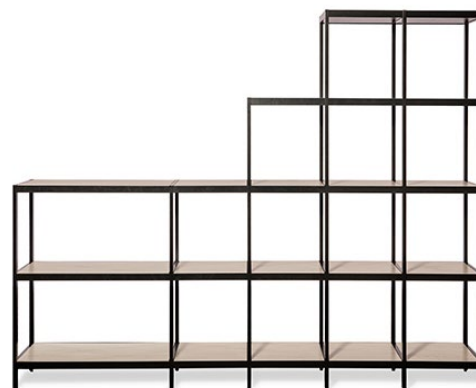
Name	Size	Colour	Art no.
Place Supporting shelf 361	361x35x395	Ash	402111
Place Supporting shelf 739	739x35x395	Ash	402121

Supporting shelves in anthracite laminate 35 mm including decor shelf light ash.



QUICK INFO.

Content	Certification TreCe	Certification TreCe
Environmental & quality	ISO 9001:2015	ISO 14001:2015
Country of manufacture	Sweden	



SVHC/ECHA's candidate list

No chemicals included in ECHA's candidate list of SVHC may be contained in levels of >0.1% by weight in the components, parts or chemicals that are included or used in the manufacturing of the furniture/product. See <http://echa.europa.eu/en/candidate-list-table>

Wood

Routines must be in place to ensure that wood based materials are traceable and come from legal and acceptable sources, see table 1.

Table 1: Requirements wood

Requirements	Complies
Has legal ownership and access rights.	X
Follows nationally and locally applicable laws and regulations regarding use, environment, labor and welfare, health and safety, and other parties' rights.	X
Pays the relevant taxes and charges related to use.	X
Follows CITES regulations (only applicable to certain tree species, see the CITES website).	X
The wood complies with the requirements for formaldehyde emission requirements according to E1.	X

Metal

The frame and fittings such as hinges, screws and handles fulfill the requirements in table 2.

Table 2: Requirements metal

Requirements	Complies
Metal that will have prolonged contact with skin (e.g. armrests) must not consist of alloys containing nickel, chromium III or chromium VI.	X

Adhesives

Adhesives used in manufacturing meet the requirements of table 3 which limit the use of environmentally and health hazardous volatile organic solvents (VOCs) and hazardous formaldehyde.

Table 3: Requirements adhesives

Requirements	Complies
Adhesives used in the manufacture of furniture or components for furniture may contain a maximum of 10% by weight VOC.	X
Adhesives used in the manufacture of furniture or components for furniture may contain a maximum of 0.2% by weight of free formaldehyde.	X

Powder coating

Place is painted with powder coating which provides both environmental and quality benefits as no solvents need to be added and the amount of waste is very small. In addition, the powder coating gives a durable and stylish finish. Fulfilled requirements are shown in tables 4 and 5. Safety data sheets according to REACH CLP-regulation no1272/2008 are sent on request.

Table 4: Requirements surface treatment

Requirements	Complies
The content of aromatic solvents / hydrocarbons in surface treatment products / preparations may not exceed 1.0% by weight.	X
Surface treatment with preparations containing VOC may have a maximum applied VOC component of 60 g / m ² for office / public / outdoor environment.	X

Table 5: Hazard class and hazard statement according to Regulation 1272/2008

Hazard category	Hazard statement according to regulation 1272/2008	Complies
Acute toxicity	H300, H301, H310, H311, H330, H331	X
Toxic to body organs	H370, H371, H372, H373	X
Carcinogenic	H350, H351	X
Mutagenic	H340, H341	X
Toxic for reproduction	H360, H361	X
Allergenic	H334	X
Dangerous to the environment	H400, H410, H411, H412, H413 If the use of surface treatment products is required for technical reasons, products labelled as dangerous to the environment (H400, H410, H411, H412, H413) may be acceptable if the content of environmentally hazardous substance <14 g/per m ² of surface.	X
Hazardous to the ozone layer	H420	X

Quality

This product has undergone extensive quality tests for safety and function, as well as surface resistance, see table 5. The tests were conducted by RISE, a Swedish government research institute that performs testing and certification.

Table 5: Standards against which the product has been tested and approved

Standard	Scope	Complies
SS-EN 14073-2:2004	Office furniture — Storage furniture — Part 2: Safety requirements	X
SS-EN 16121:2013 + A1:2018	Non-domestic storage furniture — Requirements for safety, strength, durability and stability	X
SS-EN 12720:2009 + A1:2013 SS 839117	Surface resistance Public environment / office	X