



Pearl white RAL 1013

Waste bin Hold Mini – a baby brother to Hold

TreCe has together with Tengbom architects developed the recycling unit Hold. As part of this collaboration, Hold mini has seen the light of day.

Hold mini is reduced to a third of its big brother Hold. With only one fraction for sorting, and aims to function as a pure waste bin in conference rooms, hotel rooms, smaller meeting rooms etc. A small and functional bin with one type of inlet and a small container. Hold mini also has a wall bracket, which means that it can be placed on a wall. The bins container in 100% recycled plastic, a durable choice. Hold mini holds a total of 7 L.

Sustainability and material

- Frame in powder coated steel plate made in Sweden and consists of 20% recycled materials.
- The steel plate is 100% recyclable.
- The powder coating is a good environmental choice as no solvents are used.
- Container bin in 100% recycled plastic.
- The container bin is dishwasher safe.



Anthracite RAL 7016



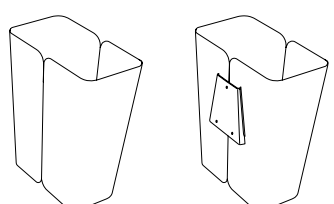
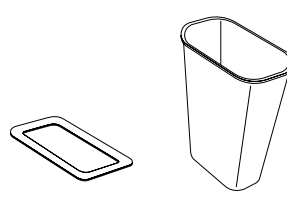
Saffron RAL 1017



Frame: Powder-coated steel plate.

Lid: 1.5 mm powder-coated steel.

How to order Hold Mini:

<p>1.</p>  <p>Floor Wall</p>	<p>2.</p>  <p>Lid Container 7 L</p>
<p>Choose frame (floor or wall) & colour. Holds 7 L.</p>	<p>Hold mini can be ordered without lid. When ordering lid, container included.</p>



Hold mini Colours



Hold mini Floor

Width 250 mm, Height 300 mm, Depth 135 mm

Colour	Art no.
RAL 9010 White	472003
RAL 7032 Warm grey	472014
RAL 7016 Anthracite	472004
RAL 5023 Brilliant blue	472019
RAL 1013 Pearl white	472013
RAL 6013 Olive	472015
RAL 6020 Forest green	472006
RAL 8014 Chocolate	472016
RAL 1017 Saffron	472018
RAL 3014 Old pink	472017
RAL 3005 Wine red	472010

Hold mini Wall incl. wall mount

Width 250 mm, Height 300 mm, Depth 135 mm

Colour	Art no.
RAL 9010 White	472203
RAL 7032 Warm grey	472214
RAL 7016 Anthracite	472204
RAL 5023 Brilliant blue	472219
RAL 1013 Pearl white	472213
RAL 6013 Olive	472215
RAL 6020 Forest green	472206
RAL 8014 Chocolate	472216
RAL 1017 Saffron	472218
RAL 3014 Old pink	472217
RAL 3005 Wine red	472210

Hold mini Lid

Lid without symbol, large inlet

Colour	Art no.
RAL 9010 White	473903
RAL 7032 Warm grey	473914
RAL 7016 Anthracite	473904
RAL 5023 Brilliant blue	473919
RAL 1013 Pearl white	473913
RAL 6013 Olive	473915
RAL 6020 Forest green	473906
RAL 8014 Chocolate	473916
RAL 1017 Saffron	473918
RAL 3014 Old pink	473917
RAL 3005 Wine red	473910

Inner container

Name	Colour	Art no.
Hold container small 7 L	Grey	471001



Container included in lid.

QUICK INFO.

Content	Certification TreCe	Certification TreCe
Environmental & social aspects	ISO 9001:2015	ISO 14001:2015
Country of manufacture	Recycled material	Recycled material
Sweden	20% recycled steel (frame)	100% recycled ABS plastic (inside bin)



SVHC/ECHA's candidate list

No chemicals included in ECHA's candidate list of SVHC may be contained in levels of >0.1% by weight in the components, parts or chemicals that are included or used in the manufacturing of the furniture/product. See <http://echa.europa.eu/en/candidate-list-table>

Metal – frame

The frame consist of cold-rolled steel plate and are manufactured in Sweden. In the production of steel blanks, 20% recycled material is used together with iron raw material ore (80%). The steel plate meets the requirements in table 1.

Table 1: Requirements metal

Requirements	Complies
Metal that will have prolonged contact with skin (e.g. armrests) must not consist of alloys containing nickel, chromium III or chromium VI.	X

Powder coating

Hold mini is painted with powder coating which provides both environmental and quality benefits as no solvents need to be added and the amount of waste is very small. In addition, the powder coating gives a durable and stylish finish. Fulfilled requirements are shown in tables 2 and 3. Safety data sheets according to REACH CLP-regulation no1272/2008 are sent on request.

Table 2: Requirements surface treatment

Requirements	Complies
The content of aromatic solvents / hydrocarbons in surface treatment products / preparations may not exceed 1.0% by weight.	X
Surface treatment with preparations containing VOC may have a maximum applied VOC component of 60 g / m ² for office / public / outdoor environment.	X

Table 3: Hazard class and hazard statement according to Regulation 790/2009

Hazard category	Hazard statement according to regulation 790/2009	Complies
Acute toxicity	H300, H301, H310, H311, H330, H331	X
Toxic to body organs	H370, H371, H372, H373	X
Carcinogenic	H350, H351	X
Mutagenic	H340, H341	X
Toxic for reproduction	H360, H361	X
Allergenic	H334	X
Dangerous to the environment	H400, H410, H411, H412, H413 If the use of surface treatment products is required for technical reasons, products labelled as dangerous to the environment (H400, H410, H411, H412, H413) may be acceptable if the content of environmentally hazardous substance <14 g/per m ² of surface.	X

Plastic – inside bin

The inside bin/container consists of 100% recycled ABS plastic and meets the requirements for plastic, see table 4. To facilitate sorting of plastics during material recycling, we have permanently marked bottom with the plastic type according to ISO 11469.

Table 4: Requirements plastic

Requirements	Complies
Plastic parts >50 grams are permanently marked according to ISO 11469	X
Free from PVC (polyvinyl chloride)	X
Softeners/phthalates classified as hazard classification H360 have not been actively added or that the measured level does not exceed 0.1% by weight/substance and component.	X
Short-chain chlorinated paraffins (SCCPs) must not be actively added or that the measured level must not exceed 0.01% by weight/substance and component.	X
The following flame retardants have not been actively added or that the measured level does not exceed 0.1% by weight/substance and component.	X
Polybrominated biphenyls (PBBs) CAS-nr: 59536-65-1	
Decabromodiphenyl ether (dekaBDE) CAS-nr: 1163-19-5	
Pentabromodiphenylether (pentaBDE) CAS-nr: 32534-81-9	
Oktabromodiphenylether (oktaBDE) CAS-nr: 32536-52-0	
Tris (2,3-dibromopropyl) phosphate (TBPP) CAS-nr: 126-72-7	
Tris (1-aziridinyl) phosphine oxide (TEPA) CAS-nr: 5455-55-1	
Hexabromocyclododecane (HBCDD) CAS-nr: 25637-99-4	
Tris (2 chlorethyl) phosphate (TCEP) CAS-nr: 115-96-8	
No pigments containing lead, cadmium, tin, chromium VI or mercury have not been actively added or that the measured level does not exceed 0.01% by weight per component.	X

Social responsibility

We have ensured that this product is manufactured under good conditions, ie. with regard to social and ethical issues such as working conditions, human rights, labour, environment and corruption. We have sent these requirements to our suppliers and subcontractors, who have each certified that they are followed. A summary is shown in table 5 and applies to the entire manufacture process of a product and it's components. The starting point is the UN guidelines on the "Code of Conduct" and Möbelfakta's requirements for Social Responsibility are formulated on the basis of the UN's Global Compact. As well as conditions for social and ethical considerations regarding tax irregularities and illegal labour. The principles are based on below;

- UN Universal Declaration of Human Rights
- Rio Declaration on Environment and Development
- International Labour Organization (ILO) eight core conventions on human and labour rights
- UN Convention against Corruption
- Work environment requirements based on ILO conventions on health and safety

Table 5: Summary requirements for social responsibility

Requirements	Complies
Legislation	The furniture and its components must be manufactured in accordance with national legislation. X
Human Rights	Producers, manufacturers and suppliers operations must comply with human rights. X
Working conditions	Wages, child labour, conditions of employment, working hours, benefits, penalties, freedom of association, forced labour and discrimination. X
Working environment	The company must constantly strive to improve the working environment and workplace safety for its employees. X
Environment	Identify environmental impact, work actively with environmental issues and involve staff. Procedures for law compliance must be in place and followed up. X
Anti-corruption	No form of extortion, corruption, bribery or favoritism to or from employees or organizations is tolerated. X
Tax irregularities /fraud	In addition to the statutory obligations applicable to the employees concerned, shall also anti-labour and tax fraud are applied, such as illegal workers. X
Undeclared/illegal labour	No undeclared/illegal labour shall be hired to preform product manufacturing. X

Quality and circular solutions

This product has been designed for user environments such as public environments and offices, as well as a long service life. Extending the life of a product is a benefit to the climate and the user.

What is a circular solution?

A linear economy also called wear and tear has a major impact on our climate, materials are taken in, a product is manufactured, used and disposed of. We need to re-think as this is not sustainable from a resource and climate point of view. One solution is a circular economy that takes advantage of all the steps and resources, including that materials and products should have as long a lifetime as possible and that nothing should end up as just trash. To extend the life of a product, circular solutions are used such as the opportunity to repaint, repair or renovate instead of buying a brand new product. Welcome to contact TreCe for more information on circular solutions.

Table 6: Quality and general information

Aspect	
Design	Design by Tengbom
Product guarantee	2 years*
Product information/maintenance	Yes, sent with product
Recyclable	Yes, all parts can be recycled
Circular solutions (Repaint, repair, refurbish)	Yes, contact us for more information

***Warranty:** The warranty is valid from the delivery date of the product. Invoice/order number must be provided for the warranty to be valid. The warranty does not apply to products that have been stored or assembled incorrectly, used in an inappropriate or improper manner, altered in appearance/function or cleaned with an incorrect cleaning method or cleaning products. The warranty does not cover shipping damage, normal wear and tear, scratches, marks or damage caused by impact or accident. The warranty does not cover products that have been placed outdoors or in a damp environment, or products that have been used for purposes other than those for which they are intended.

For products intended for outdoor use, the above-mentioned humid environment does not apply, but the warranty period is halved for products installed within 200 metres of a coastal environment. The warranty does not apply to outdoor products that develop surface corrosion over time as this is purely aesthetic and can be corrected with touch-up paint.

General care instructions

Metal

Wipe with a slightly damp, soft lint-free cloth and mild detergent. Always wipe dry with a dry cloth. Never use solvents on painted metal nor any abrasive cleaners/ materials.

Wood

Wood is a living material and is affected for example by seasons, heat and humidity. Direct sunlight will give surfaces permanent colour and light differences. To avoid colour shifts, all surfaces should be exposed to equal amounts of light.

Normal/daily cleaning:

- Dust dry and clean with mild soap solution or mild hand washing-up liquid.
- Wipe dry with a dry cloth.
- Never use strong detergents, solvents or products containing abrasives.
- Remove all stains as soon as possible and wipe the surface dry after cleaning.

Note! Use a minimum amount of water.